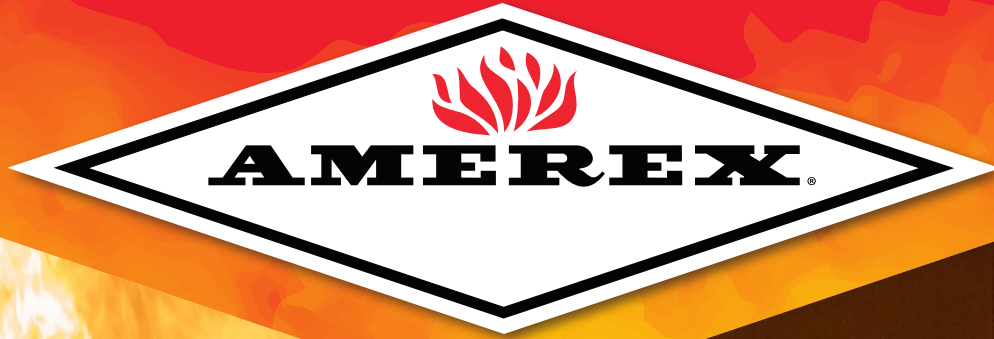


HAND-PORTABLE FIRE EXTINGUISHERS



Quality is Behind the Diamond[®]




www.firesys.com.au | 1300 88 3473 | info@firesys.com.au



PORTABLE FIRE EXTINGUISHERS FROM AMEREX



Amerex portable fire extinguishers have been the industry standard for more than 50 years. Since 1971, our commitment to quality, service, and innovation has been unmatched. **Quality is Behind the Diamond®**—in every product.

 At Amerex, quality is a mindset. It is the standard that drives us. Our business has grown year after year based on our products' reputation for performance and durability even in the most rugged environments. Amerex produces fire extinguishers for every application that go through quality audits at each level of production. With warehouses strategically located in Oakland, New Jersey; Elk Grove Village, Illinois; Santa Fe Springs, California; and Trussville, Alabama, our customers are assured that product lead times are at a minimum.

**For more detailed product and ordering information,
visit webstore.amerex-fire.com.**

Longer life, lower cost, and the best warranty in the industry—that's quality behind the diamond.

All Amerex Fire Extinguishers comply with the recommendations of the **National Fire Protection Association** and are tested and rated by **Underwriters Laboratories** or **FM Global** to **UL Standards**.



www.firesys.com.au | 1300 88 3473 | info@firesys.com.au

WHERE TO USE

Amerex manufactures a variety of hand-portable and wheeled fire extinguishers, both “compliance” (code required) and “specialty” types.

“Compliance” extinguishers are designed to meet and exceed state or local fire protection requirements. “Specialty” extinguishers are intended for use on particular types of hazards, so they should be placed in close proximity to the specific hazard they are meant to protect. It is natural for a person to use the extinguisher located nearest to a fire. The most current issue of NFPA-10 should be consulted for minimum recommended fire extinguisher types, placement, and travel distances. Your local

Amerex Fire Equipment Distributor is professionally equipped to evaluate and implement these recommendations. All “Pictograms” are detailed below and should be reviewed with all who might be expected to use a fire extinguisher. Everyone should be familiar with these picture symbols that identify the types of fires on which they may be used. The international sign system diagonal red slash indicates a potential danger if the extinguisher is used on that particular type of fire hazard.

CLASSES OF FIRE			
Class A	Ordinary combustibles	Wood, paper, rubber, fabrics, and many plastics	
Class B	Flammable liquids & gases	Gasoline, petroleum greases, tars, oils, oil-based paints, solvents, alcohols, propane, and butane	
Class C	Live electrical equipment	Fires involving live electrical equipment	
Class D	Combustible metals or combustible metal alloys	Magnesium, titanium, zirconium, sodium, lithium, and potassium	
Class K	Fires in cooking appliances that involve combustible cooking media	Cooking oils and animal fats	

Types of Extinguishers	
Class A	
Class A:B	
Class A:B:C	
Class A:C	
Class B:C	
Class D	
Class A:K	

HOW TO USE

All Amerex extinguishers are furnished with a detailed “Owner’s Manual” containing valuable information on the installation, use, and maintenance of the extinguisher. The extinguisher nameplate contains specific information on “HOW TO USE” the particular extinguisher. The

label instructions vary slightly according to type and size. Potential operators should be familiar with the instructions on any extinguisher they might be required to use.

Scan the QR code at left for a video tutorial.



Hazard Analysis

IT IS CRITICAL TO USE THE RIGHT EXTINGUISHER FOR THE RIGHT APPLICATION

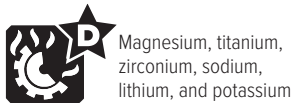
	ABC Dry Chemical	Purple K	Clean Agent	Class K Wet Chemical	Water
Fire Extinguisher Type					
Class of Fire Application	 A  B  C	 B  C	 A  B  C	 A  K	 A
Industries	<ul style="list-style-type: none"> General Building Protection Office Buildings Retail Stores Warehouses Woodworking Shops 	<ul style="list-style-type: none"> Fuel Storage Oil-based Paint Storage Paint Spray Booths Auto Repair Shops Aviation Tugs and Fueling Carts 	<ul style="list-style-type: none"> Computer Server Rooms Telecommunications Manufacturing Facilities Aviation Flight lines and Maintenance Facilities Offices 	<ul style="list-style-type: none"> Commercial Kitchens Food Trucks 	<ul style="list-style-type: none"> Oxidizer Storage Pool Chemical Storage

Classes of Fire

-  Wood, paper, cloth, rubber, and many plastics
-  Gasoline, petroleum greases, tars, oils, oil-based paints, solvents, alcohols, propane, and butane
-  Fires involving live electrical equipment

Prepare for a fire emergency by ensuring that the right fire extinguisher for the environment is the closest one. If a fire event occurs, grab the fire extinguisher and remember the PASS method: **Pull, Aim, Squeeze, Sweep.**

Z-Series		HT Series	Water Mist	Carbon Dioxide	Class D Dry Powder
Purple K	ABC Dry Chem				
Purple K	ABC Dry Chem				
<i>Available in Fast Flow or Compliance Flow</i>					
<ul style="list-style-type: none"> Oil and Gas Platforms Oil Refineries Mining Operations Coastal and Marine Environments Agriculture Industrial Climates Waste Management Processes 	<ul style="list-style-type: none"> Data Server Rooms Telecommunications Clean Rooms Manufacturing Facilities Museums 	<ul style="list-style-type: none"> Hospitals Museums & Libraries Telecommunications Delicate Electronic Equipment Clean Rooms Auditoriums Convention Halls Pool Chemical Storage 	<ul style="list-style-type: none"> Welding Shops Auto Repair Shops Manufacturing Facilities High-Voltage Electrical Distribution 	<ul style="list-style-type: none"> Machine Shops Foundries Metal Fabrication Shops Heavy Industries 	



Quality is Behind the Diamond®

WATER



240
P/N 00100

MODEL 240 utilizes the cooling, soaking, and penetrating effect of a 45- to 55-foot stream of WATER. The 55-second discharge time makes it very effective for inexperienced operators for use on Class A fires that include combustibles such as wood, cloth, paper, and many plastics. This extinguisher is constructed with a chrome-plated brass valve and polished stainless steel cylinder, which helps eliminate corrosion.

**EXTINGUISHER
SHIPS EMPTY**



RUGGED

- 5-Year manufacturer's warranty
- Stored-pressure design
- Polished stainless steel cylinders
- All-metal valve construction
- Exclusive crevice-free, butt-welded cylinder
- Temperature range 40°F to 120°F

USER-FRIENDLY

- Maximum visibility during discharge
- Large loop stainless steel pull pin
- QR coded and multilingual labels

OPTION

- Model 506B anti-freeze charge (Temperature range -40°F to 120°F)

**THE MODEL 240 MAY BE FREEZE-PROTECTED TO -40°F
BY ADDING A MODEL 506B CHARGE**

MANUFACTURED AND TESTED TO UL STANDARDS

COMPLIES WITH NFPA 10 STANDARD
ISO-9001/ISO-14001 CERTIFIED
UL LISTED

CONFORMS TO TEST STANDARDS:

CAN/ULC-S507 - UL 626 &
CAN/ULC-S508 - UL 711

AGENT TYPE	WATER
DESIGN	Hose & Nozzle
MODEL NUMBER	240
UL & ULC RATING	2A
CAPACITY	2.5 Gal
*SHIPPING WT. (LBS)	7.5
HEIGHT (IN.)	24.5
WIDTH (IN.)	9
DEPTH (IN.)	7
RANGE (INITIAL-FT)	45-55
DISCHARGE TIME (SEC.)	55
NOMINAL OPERATING PRESSURE	100 PSIG
INCLUDED BRACKET	Wall

*Shipping weight includes box.





WET CHEMICAL

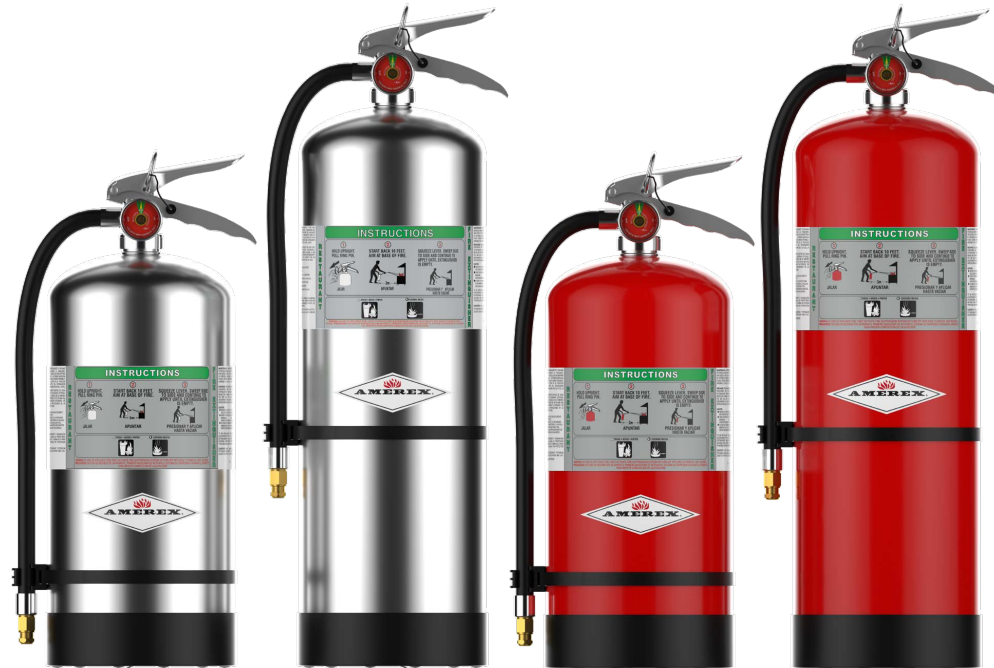
WET CHEMICAL extinguishers are the best restaurant kitchen appliance hand-portable fire extinguishers you can purchase. Each model utilizes a specially blended potassium acetate base agent and has been tested and approved by UL for restaurant kitchen hazards. The recent trend to more efficient cooking appliances and use of vegetable-based cooking oils dictates the use of a hand-portable fire extinguisher with greater fire-fighting capacity and cooling effect to combat these very hot and difficult fires. The Class K is available in two sizes; 6 liter or 2½ gallon—with attractive stainless steel cylinders and easy-to-use hose-and-spray application nozzles. The superior fire-fighting capability of the Wet Chemical agent is placed exactly where you aim it with no dry chemical residue to clean up. Models C260 and C262 are the ideal “KITCHEN USE” fire extinguishers. They supplement existing cooking equipment automatic system protection for the extra margin of safety.

RUGGED

- 5-Year manufacturer’s warranty
- Stored-pressure design
- Polished stainless steel cylinders—USCG models have durable high-gloss polyester powder paint coating
- All stainless steel valve construction
- Exclusive crevice-free, butt-welded cylinder
- Tested on commercial deep-fat fryers to UL711 test protocol
- Class 2A rated to meet fire code occupancy hazard requirements
- Temperature range +40°F to 120°F

USER-FRIENDLY

- Factory charged
- Large loop stainless steel pull pin
- Agent discharged as a fine mist—helps prevent grease splash and re-flash while cooling the appliance
- Precise extinguishing agent application
- QR coded and multilingual labels



C260
P/N 27596

C262
P/N 27599

***C260CG**
P/N 27598

***C262CG**
P/N 27600



How to use K Class Extinguisher Video Tutorial

EXCELLENT FOR USE ON ALL COOKING APPLIANCES INCLUDING SOLID FUEL CHARBROILERS

AGENT TYPE	WET CHEMICAL	
MODEL NUMBER	C260 / C260CG	C262 / C262CG
UL & ULC RATING	2A:K	
CAPACITY	6 Liter	2.5 Gal
*SHIPPING WT. (LBS)	22.5	33.5
HEIGHT (IN.)	19	24.5
WIDTH (IN.)	9	9
DEPTH (IN.)	7	7
RANGE (INITIAL-FT)	10-12	10-12
DISCHARGE TIME (SEC.)	53	107
NOMINAL OPERATING PRESSURE	100 PSIG	100 PSIG
INCLUDED BRACKET	Wall	Wall

*Shipping weight includes box.

MODELS C260CG & C262CG COAST GUARD APPROVED

***MUST USE 810CG BRACKET (sold separately)**

MANUFACTURED AND TESTED TO UL STANDARDS
COMPLIES WITH NFPA 10 STANDARD
ISO-9001/ISO-14001 CERTIFIED
UL LISTED

CONFORMS TO TEST STANDARDS:
CAN/ULC-S554 - UL 8 &
CAN/ULC-S508 - UL 711



WATER MIST

WATER MIST is the ultimate extinguisher for Class A fires and for locations where potential Class C (electrical) hazards exist. The fine spray from the unique misting nozzle provides safety from electrical shock, greatly enhances the cooling and soaking characteristics of the agent, and reduces scattering of burning materials. The Amerex Water Mist extinguishers contain deionized water (sold separately) making them the best extinguishers for protection of hospital environments, telecommunication facilities, and “clean room” manufacturing facilities. The Amerex Water Mist extinguishers are easy to use, maintain, and service.

RUGGED

- 5-Year manufacturer’s warranty
- Stored-pressure design
- Stainless steel cylinders
- Durable high-gloss polyester powder paint
- All-metal valve construction
- Exclusive crevice-free, butt-welded cylinder
- Temperature range +40°F to 120°F

USER-FRIENDLY

- Large loop stainless steel pull pin
- Maximum visibility during discharge
- No electrical conductivity back to the operator
- No thermal or static shock
- Minimal training—simplest to use
- Most economical agent available
- Sanitary and easy-to-clean white paint finish
- No powder residue
- QR coded and multilingual labels

MR CONDITIONAL

- Nonmagnetic construction tested by an independent agency for use in MRI facilities to 11.7 Tesla (including wall hanger bracket)




C270
P/N 27699

C272
P/N 27704

C270
P/N 27698

C272
P/N 27702

**MODELS
C270 & C272**
2-pack Charges
670 & 671 Deionized
Water Extinguishing
Agent Sold
Separately



MR CONDITIONAL
THIS EXTINGUISHER HAS BEEN TESTED TO OPERATE PROPERLY AND POSE NO SAFETY HAZARD IN AN MRI ENVIRONMENT ASSOCIATED WITH MR SYSTEMS OPERATING AT 11.7 TESLA OR LESS.



How to use Water Mist Extinguisher Video Tutorial

MANUFACTURED AND TESTED TO UL STANDARDS
COMPLIES WITH NFPA 10 STANDARD
ISO-9001/ISO-14001 CERTIFIED
UL LISTED

CONFORMS TO TEST STANDARDS:
CAN/ULC-S554 - UL 8 &
CAN/ULC-S508 - UL 711

TESTED TO 11.7 TESLA

AGENT TYPE	DEIONIZED WATER	
	C270	C272
MODEL NUMBER	C270	C272
UL & ULC RATING	2A:C	2A:C
CAPACITY	1.75 Gal	2.5 Gal
*SHIPPING WT. (LBS. EMPTY)	7	8
HEIGHT (IN.)	19	24.5
WIDTH (IN.)	9	9
DEPTH (IN.)	7	7
RANGE (INITIAL-FT.)	10-12	10-12
DISCHARGE TIME (SEC.)	72	80
REQUIRED CHARGE MODEL	670	671
NOMINAL OPERATING PRESSURE	100 PSIG	100 PSIG
INCLUDED BRACKET	NM Wall	NM Wall

*Shipping weight includes box.





HALOTRON® BrX (2-BTP)

HALOTRON® BrX (2-BTP) Amerex provides a unique solution for Halon 1211 replacement. These extinguishers utilize Halotron® BrX to fulfill the next generation of aviation extinguisher requirements. BrX has a low Global Warming Potential (GWP) and very low Ozone Depletion Potential (ODP) clean agent approved for use on commercial aircraft. The extinguishers are constructed of lightweight aluminum valves and cylinders (Model 351 uses a steel cylinder). Models 349 and 351 include a hose that allows the operator greater flexibility for utilization in tight spaces. Amerex is the solution for the aviation portable extinguisher needs.

RUGGED

- 6-Year manufacturer's warranty
- Stored-pressure design
- Aluminum cylinders (Model 351 uses a steel cylinder)
- Durable high-gloss polyester powder paint
- All-metal valve construction
- Hose is unique to Amerex product (Models 349 and 351)

- Extinguishers are maintained in accordance with NFPA 10
- Hose provides greater access to tight spaces—offering greater flexibility when using the extinguisher (Models 349 and 351)
- Temperature range -40°F to 120°F

FAA APPROVED

- Models 339, 347, 349 and 351 are FAA approved in accordance with DOT/FAA/AR-01/37

HALOTRON® BrX EXTINGUISHERS HAVE A 12-YEAR SERVICE LIFE AND ARE NON-RECHARGEABLE

USER-FRIENDLY

- Maximum visibility during discharge
- Large loop stainless steel pull pin (Model 351)
- No electrical conductivity back to the operator
- No thermal or static shock
- Leaves no residue
- QR coded and multilingual labels

ENVIRONMENT

- EPA approved “clean agent” for Class A, B and C hazards
- Low GWP – 0.26 (100 year)
- Low ODP – 0.0028
- Short atmospheric lifetime



LOW GWP AND VERY LOW ODP CLEAN AGENT

AGENT TYPE	HALOTRON® BrX (2-BTP)				
VALVE TYPE	Anodized Aluminum				
DESIGN	Nozzle			Hose & Nozzle	
MODEL NUMBER	A337TS	339TS	347TS	349TS	351
UL & ULC RATING	2B:C	5B:C	5B:C	5B:C	2A:10B:C
CAPACITY (LBS.) / (KG)	1.79 / .81	3.55 / 1.6	3.75 / 1.7	3.75 / 1.7	12.5 / 5.67
FILLED WT. (LBS.) / (KG)	3.04 / 1.38	5.1 / 2.31	5.50 / 2.49	5.75 / 2.61	19.88 / 9.02
HEIGHT (IN.) / (MM)	11.25 / 285.75	13.69 / 347.66	17.59 / 446.9	17.59 / 446.9	20.25 / 514.3
WIDTH (IN.) / (MM)	4 / 101.6	4.13 / 104.78	4 / 101.6	5.88 / 149.35	8.5 / 215.9
DEPTH (IN.) / (MM)	3.25 / 82.6	3.5 / 88.9	3.25 / 82.6	3.25 / 82.6	5 / 127
DISCHARGE TIME (SEC.)	9	8	9	9	16
RANGE (INITIAL- FT. / M)	7-8 / 2.13-2.44	11-12 / 3.35-3.66	10-12 / 3.05-3.66	10-12 / 3.05-3.66	15-17 / 4.57-5.18
MINIMUM CONFINED SPACE REQUIREMENTS (FT³/ M³)	427 / 12.09	849 / 24.04	896 / 25.37	896 / 25.37	2,988 / 84.6
NOMINAL OPERATING PRESSURE	90 PSIG	100 PSIG	100 PSIG	100 PSIG	150 PSIG
FAA APPROVED MODEL		Yes	Yes	Yes	Yes
INCLUDED BRACKET	Aircraft				Wall

MODEL 351 SHIPS WITH A WALL BRACKET.

MODEL 809 VEHICLE BRACKET IS SOLD SEPARATELY.

MANUFACTURED AND TESTED TO UL STANDARDS
 COMPLIES WITH NFPA 10 STANDARD
 ISO-9001 AND ISO-14001 CERTIFIED
 UL LISTED

CONFORMS TO TEST STANDARDS:
 CAN/ULC-S508 - UL 2129 &
 CAN/ULC-S566 - UL 711



HALOTRON® I



HALOTRON® I clean fire extinguishing agent discharges as a rapidly evaporating liquid, which is non-conductive, noncorrosive, and leaves behind no residue. Halotron® I is the clean agent market leader with a history of successful real-world protection of valuable assets. From model-scale aircraft to wide-body commercial aircraft, from data centers to pharmaceutical and other industrial plants, the Halotron® I agent has been used to extinguish the fire, limit damage, and help reduce downtime that can be caused by other agents.

Applications for these extinguishers include: data centers, laboratories, manufacturing plants, general office areas, computer rooms, telecommunication facilities, clean rooms, control rooms, warehouses, military electronics, vehicles including classic autos, boats, engine compartments, aircraft ramps, onboard aircraft, and in facilities that service aircraft and any facility where dry chemical extinguishers could cause unacceptable damage or contamination.

RUGGED

- 6-Year manufacturer's warranty
- Stored-pressure design
- Dependable drawn-steel cylinders
- Durable high-gloss polyester powder paint
- All-metal valve construction
- Temperature range -40°F to 120°F

USER-FRIENDLY

- Maximum visibility during discharge
- No electrical conductivity back to the operator
- No thermal or static shock
- Leaves no residue
- QR coded and multilingual labels

ENVIRONMENT

- Low Global Warming Potential (GWP) 77 (CO2 = 1.0, 100 year time horizon)
- Low Ozone Depletion Potential (ODP) - 0.0098 (CFC-11 = 1.0)
- Short atmospheric lifetime

OPTION

- Extinguishers are USCG approved with bracket listed on UL label
- Chrome cylinders (see chart below)

AVAILABLE IN 65 AND 150 LB. WHEELED EXTINGUISHERS



A384T
P/N 14400

B385TS
P/N 15231

B386T
P/N 15271

B394TS
P/N 16330

397
P/N 15509

398
P/N 15510

ALUMINUM VALVE



BRASS VALVE



FAA APPROVED MODELS AVAILABLE (SEE CHART BELOW)

AGENT TYPE	HALOTRON® I					
	Anodized Aluminum				Chrome-Plated Brass	
VALVE TYPE						
DESIGN	Nozzle				Hose & Nozzle	
MODEL NUMBER	A384T	B385TS	B386T	B394TS	397	398
UL & ULC RATING	1B:C	2B:C	5B:C	5B:C	1A:10B:C	2A:10B:C
CAPACITY (LBS.)	1.4	2.5	5	5.5	11	15.5
*SHIPPING WT. (LBS.)	3.25	5.25	9.5	10	22.5	27.5
HEIGHT (IN.)	10	15.5	15.25	15	21.88	21.88
WIDTH (IN.)	3.5	6.38	5.75	5.13	9.25	9.25
DEPTH (IN.)	2.63	3	4.25	4.25	6	6
RANGE (INITIAL- FT.)	6-8	6-10	9-15	9-15	9-15	12-18
DISCHARGE TIME (SEC.)	9	9	9	9	9	14
OPTIONAL CHROME CYLINDER	Yes	Yes	Yes			
MINIMUM CONFINED SPACE REQUIREMENTS (CU. FT.)	196	350	700	770	1540	2170
NOMINAL OPERATING PRESSURE	125 PSIG	100 PSIG	100 PSIG	150 PSIG	125 PSIG	125 PSIG
FAA APPROVED MODEL				Yes	Yes	Yes
INCLUDED BRACKET	Vehicle	Vehicle	Vehicle	Aircraft	Wall	Wall

*Shipping weight includes box.

MANUFACTURED AND TESTED TO UL STANDARDS
COMPLIES WITH NFPA 10 STANDARD
ISO-9001/ ISO-14001 CERTIFIED
UL LISTED

CONFORMS TO TEST STANDARDS:
CAN/ULC-S566 - UL 2129 &
CAN/ULC-S508 - UL 711





HT-SERIES

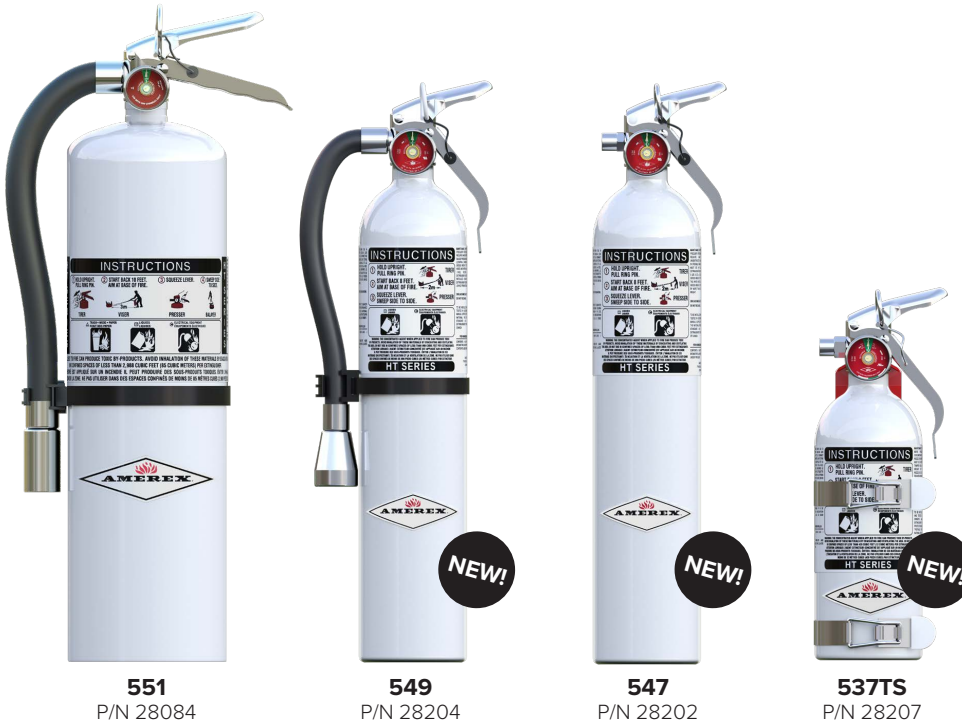
THE HIGH PERFORMING HT-SERIES for commercial settings, once exclusive to the aerospace industry, can safely put out fires without damaging electronic equipment, specialized machinery, or other delicate materials. That also means that there is no clean-up or down time for your operations. Industries such as health care, clean manufacturing, data processing centers, and museums all benefit from the HT Series. These extinguishers are also sensitive to the environment, meeting strict environmental regulations for Global Warming Potential and Ozone Depletion Potential. With knock-down power and firefighting efficiency, the HT-Series using Halotron BrX agent features aluminum cylinders (Model 551 uses a steel cylinder), durable high-gloss polyester powder paint, and all-metal valve construction. Maximum visibility during discharge, a large stainless steel pull pin, and no electronic conductivity back to the user make these extinguishers extremely easy to use.

RUGGED

- 6-Year manufacturer's warranty
- 12-year service life; non-rechargeable
- Stored-pressure design for simple inspection
- Durable, high-gloss polyester powder-coat finish
- All-metal valve construction
- Robust cylinders crafted from high-quality steel or aluminum
- 7-day atmospheric lifespan
- A low-GWP and very low-ODP product
- Temperature range -40°F to 120°F

USER-FRIENDLY

- Leaves no residue
- No thermal or static shock
- Flexible hose, all-metal hose for easy use
- QR coded and multilingual labels



551
P/N 28084

549
P/N 28204

547
P/N 28202

537TS
P/N 28207

MODEL 551 SHIPS WITH A WALL BRACKET.

MODEL 809 VEHICLE BRACKET IS SOLD SEPARATELY.

MANUFACTURED AND TESTED TO UL STANDARDS

COMPLIES WITH NFPA 10 STANDARD ISO-9001 AND ISO-14001 CERTIFIED UL LISTED

CONFORMS TO TEST STANDARDS:

CAN/ULC-S508 - UL 2129 & CAN/ULC-S566 - UL 711

PREMIUM PRODUCT FOR HIGHLY TECHNICAL ENVIRONMENTS

AGENT TYPE	HALOTRON® BrX (2-BTP)			
VALVE TYPE	Anodized Aluminum			
DESIGN	Nozzle		Hose & Nozzle	
MODEL NUMBER	A537TS	547	549	551
UL & ULC RATING	2B:C	5B:C	5B:C	2A:10B:C
CAPACITY (LBS.) / (KG)	1.79 / 0.81	3.75 / 1.7	3.75 / 1.7	12.5 / 5.67
*SHIPPING WT. (LBS.) / (KG)	3.87 / 1.76	4.79 / 2.17	5.04 / 2.29	19.88 / 9.02
HEIGHT (IN.) / (MM)	11.25 / 285.75	17.59 / 446.9	17.59 / 446.9	20.25 / 514.3
WIDTH (IN.) / (MM)	4 / 101.6	4 / 101.6	5.88 / 149.35	8.5 / 215.9
DEPTH (IN.) / (MM)	3.25 / 82.6	3.25 / 82.6	3.25 / 82.6	5 / 127
RANGE (INITIAL- FT. / M)	7-8 / 2.13-2.44	10-12 / 3.05-3.66	10-12 / 3.05-3.66	15-17 / 4.57-5.18
DISCHARGE TIME (SEC.)	9	9	9	16
MINIMUM CONFINED SPACE REQUIREMENTS (FT³ / M³)	427 / 12.09	896 / 25.37	896 / 25.37	2,988 / 84.6
NOMINAL OPERATING PRESSURE	90 PSIG	100 PSIG	100 PSIG	150 PSIG
INCLUDED BRACKET	Vehicle	Wall	Wall	Wall

*Shipping weight includes box.



CARBON DIOXIDE



322NM
P/N 17738

◀ These DOT-approved shells have date stamped on cylinder shoulder.

CARBON DIOXIDE is discharged as a white cloud of “snow,” which smothers a fire by displacing oxygen. It is effective for Class B flammable liquids and is electrically non-conductive. Carbon Dioxide is a clean, non-contaminating, odorless gas.



322
P/N 01712

330
P/N 01714

331
P/N 01703

332
P/N 01708



RUGGED

- 5-Year manufacturer’s warranty
- All-metal valve construction
- Rust-free aluminum cylinders
- Durable high-gloss polyester powder paint
- Temperature range -22°F to 120°F

USER-FRIENDLY

- Meets many hospital medical equipment requirements
- Large loop stainless steel pull pin
- QR coded and multilingual labels
- Leaves no residue

OPTION

- USCG approved with bracket listed on UL label
- Model 322NM is independently tested and approved for use in MRI facilities to 11.7 Tesla
- Model 322NM has a sanitary white paint finish (easy to clean)

AVAILABLE IN 50- AND 100-LB. WHEELED EXTINGUISHERS

NONMAGNETIC MODEL AVAILABLE (MODEL 322NM—TESTED TO 11.7 TESLA)

322NM ONLY

MR CONDITIONAL
THIS EXTINGUISHER HAS BEEN TESTED TO OPERATE PROPERLY AND POSE NO SAFETY HAZARD IN AN MRI ENVIRONMENT ASSOCIATED WITH MR SYSTEMS OPERATING AT 11.7 TESLA OR LESS.

MANUFACTURED AND TESTED TO UL STANDARDS
COMPLIES WITH NFPA 10 STANDARD ISO-9001/ ISO-14001 CERTIFIED UL LISTED

CONFORMS TO TEST STANDARDS:
CAN/ULC-S503 - UL 154 &
CAN/ULC-S508 - UL 711

AGENT TYPE	CARBON DIOXIDE				
VALVE TYPE	Chrome-Plated Brass				
DESIGN	Tube & Horn		Hose & Horn		
MODEL NUMBER	322	322NM	330	331	332
UL & ULC RATING	5B:C	5B:C	10B:C	10B:C	10B:C
CAPACITY (LBS.)	5	5	10	15	20
*SHIPPING WT. (LBS.)	13.1	13.1	28.25	37.75	50.75
HEIGHT (IN.)	17.75	17.75	24	30	30
WIDTH (IN.)	8.25	8.25	12	12	13
DEPTH (IN.)	5.25	5.25	7	7	8
RANGE (INITIAL- FT.)	3-8	3-8	3-8	3-8	3-8
DISCHARGE TIME (SEC.)	9	9	11	14.5	19.2
INCLUDED BRACKET	Wall	NM Wall	Wall	Wall	Wall

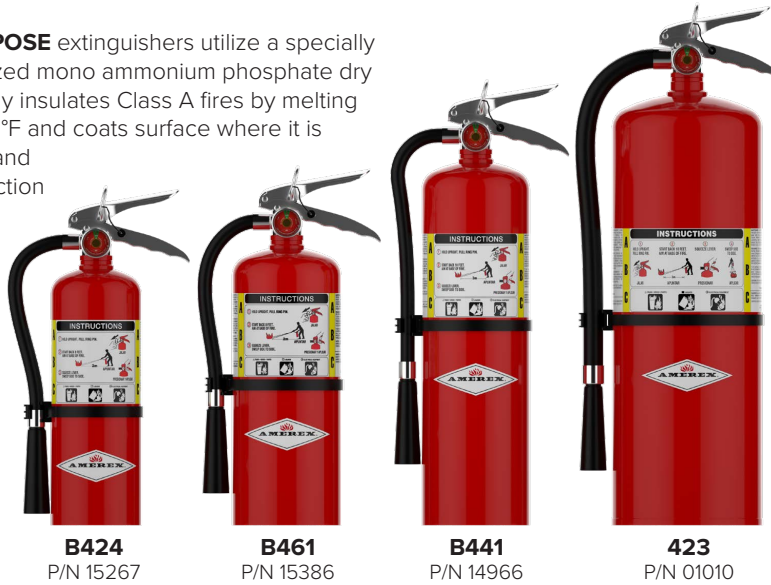
*Shipping weight includes box.





ABC DRY CHEMICAL

ABC or MULTI-PURPOSE extinguishers utilize a specially fluidized and siliconized mono ammonium phosphate dry chemical. It chemically insulates Class A fires by melting at approximately 350°F and coats surface where it is applied. It smothers and breaks the chain reaction of Class B fires and will not conduct electricity back to the operator.



B424
P/N 15267

B461
P/N 15386

B441
P/N 14966

423
P/N 01010

BRASS VALVE

RUGGED

- 6-Year manufacturer's warranty
- Stored-pressure design
- Dependable drawn-steel cylinders
- Durable high-gloss polyester powder paint
- All-metal valve construction

BRASS VALVE—Heavy Duty

- Chrome-plated brass valve body
- Stainless steel handle & lever

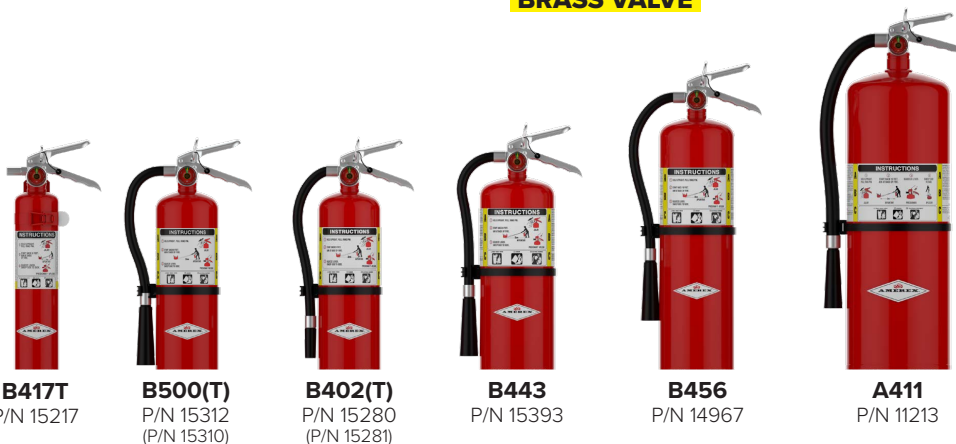
ALUMINUM VALVE—Light to Medium Duty

- Anodized aluminum valve body
- Anodized aluminum handle & lever

- Temperature range -65°F to 120°F

USER-FRIENDLY

- Easy and economical to maintain and service
- QR coded and multilingual labels OPTION
- USCG approved with bracket listed on UL label
- Chrome cylinders (see chart below)



B417T
P/N 15217

B500(T)
P/N 15312
(P/N 15310)

B402(T)
P/N 15280
(P/N 15281)

B443
P/N 15393

B456
P/N 14967

A411
P/N 11213

ALUMINUM VALVE

MANUFACTURED AND TESTED TO UL STANDARDS
COMPLIES WITH NFPA 10 STANDARD
ISO-9001/ISO-14001 CERTIFIED UL LISTED

CONFORMS TO TEST STANDARDS:
CAN/ULC-S504 - UL 299 &
CAN/ULC-S508 - UL 711

AVAILABLE IN WHEELED EXTINGUISHERS

LARGEST SELECTION OF EXTINGUISHER SIZES AND OPTIONS AVAILABLE

AGENT TYPE	ABC DRY CHEMICAL									
	Anodized Aluminum						Chrome-Plated Brass			
VALVE TYPE	Nozzle						Hose & Nozzle			
DESIGN	Nozzle						Hose & Nozzle			
MODEL NUMBER	B417T	B500/B500T	B402/B402T	B443	B456	A411	B424	B461	B441	423
UL & ULC RATING	1A:10B:C	2A:10B:C	3A:40B:C	3A:40B:C	4A:80B:C	10A:120B:C	2A:10B:C	3A:40B:C	4A:80B:C	10A:120B:C
CAPACITY (LBS.)	2.5	5	5	6	10	20	5	6	10	20
*SHIPPING WT. (LBS.)	5.5	9.25/9.5	9.25/9.5	12.75	18	36.5	10.5	14	19.5	38
HEIGHT (IN.)	15.25	15.25	15.25	16	20	24	15.5	16.25	20.5	24
WIDTH (IN.)	5.5	7.25	7.25	7.75	7.75	10.25	8	8.5	8.75	10.25
DEPTH (IN.)	3	4.25	4.25	5	5	7	4.25	5	5	7
RANGE (INITIAL- FT.)	9-15	12-18	12-18	15-21	15-21	15-21	12-18	15-21	15-21	15-21
DISCHARGE TIME (SEC.)	9	14	14	14.5	22	30	14	14	22	30
OPTIONAL CHROME CYLINDER	Yes	Yes	Yes		Yes			Yes	Yes	
NOMINAL OPERATING PRESSURE	195 PSIG	195 PSIG	195 PSIG	195 PSIG	195 PSIG	195 PSIG	195 PSIG	195 PSIG	195 PSIG	195 PSIG
INCLUDED BRACKET	Vehicle	Wall/Vehicle		Wall			Wall			

*Shipping weight includes box.



PURPLE K DRY CHEMICAL



PURPLE K extinguishers contain specially fluidized and siliconized potassium bicarbonate dry chemical that is particularly effective on Class B flammable liquids, pressurized gases, and Class C electrical fires. It is electrically nonconductive. PURPLE K has been the choice of oil, gas, chemical, and utilities industries as the preferred fire-fighting agent.

RUGGED

- 6-Year manufacturer's warranty
- Stored-pressure design
- Dependable drawn-steel cylinders
- Durable high-gloss polyester powder paint
- Temperature range -65°F to 120°F
- All-metal valve construction

BRASS VALVE—Heavy Duty

- Chrome-plated brass valve body
- Stainless steel handle & lever

ALUMINUM VALVE—Light to Medium Duty

- Anodized aluminum valve body
- Anodized aluminum handle & lever

USER-FRIENDLY

- Easy and economical to maintain and service
- QR coded and multilingual labels

OPTION

- USCG approved with bracket listed on UL label
- Chrome cylinders (see chart below)



415
P/N 01336

B460
P/N 14965

BRASS VALVE

MANUFACTURED AND TESTED TO UL STANDARDS

COMPLIES WITH NFPA 10 STANDARD
ISO-9001/ ISO-14001 CERTIFIED
UL LISTED

CONFORMS TO TEST STANDARDS:

CAN/ULC-S504 - UL 299 &
CAN/ULC-S508 - UL 711



376T
P/N 27540



377
P/N 27541



B410T
P/N 15250



B479T
P/N 15288



A413
P/N 11215

ALUMINUM VALVE



AVAILABLE IN WHEELED EXTINGUISHERS

LARGEST SELECTION OF EXTINGUISHER SIZES AND OPTIONS AVAILABLE

AGENT TYPE	PURPLE K DRY CHEMICAL						
	Anodized Aluminum				Chrome-Plated Brass		
VALVE TYPE	Nozzle				Hose & Nozzle		
DESIGN							
MODEL NUMBER	376T	377	B410T	B479/B479T	A413	B460	415
UL & ULC RATING	2B:C	10B:C	10B:C	30B:C	120B:C	80B:C	120B:C
CAPACITY (LBS.)	1	2.5	2.5	5	20	10	20
*SHIPPING WT. (LBS.)	2.25	5.5	5.5	9.5	36.4	19.5	38
HEIGHT (IN.)	10.25	14.79	15.5	15.25	24	20.5	24
WIDTH (IN.)	3.94	5.5	5.5	7.25	10.25	8.75	10.25
DEPTH (IN.)	2.63	3	3	4.25	7	5	7
RANGE (INITIAL- FT.)	5-8	5-8	9-15	12-18	15-21	15-21	15-21
DISCHARGE TIME (SEC.)	8.5	8.5	9.5	12	28	22	28
OPTIONAL CHROME CYLINDER	Yes		Yes	Yes		Yes	
NOMINAL OPERATING PRESSURE	125 PSIG	195 PSIG	195 PSIG	195 PSIG	195 PSIG	195 PSIG	195 PSIG
INCLUDED BRACKET	Vehicle	Wall	Vehicle	Wall / Vehicle		Wall	

*Shipping weight includes box.



★ CLASS D



B570
P/N 16882

MODEL B570 contains a special blended sodium-chloride-based dry powder extinguishing agent. Heat from the fire causes it to cake and form a crust excluding air and dissipating heat from burning metal. Metal fires involving magnesium, sodium, potassium, and sodium-potassium alloys can be successfully extinguished with this extinguisher. There is data showing that zirconium, uranium, titanium, and powdered aluminum fires can be controlled and extinguished with this unique extinguisher.

AVAILABLE IN 150-LB. WHEELED EXTINGUISHER

HAZARD	Fire Ratings Approximate Hazard Size	
	Area FT ² (m ²)	Quantity of Metal LBS (KG)
Magnesium chips	4 (.37)	6 (2.72)
Sodium spill	5 (.46)	5 (2.26)
– Depth over ½ inch (1.3 CM)	3 (.27)	6 (2.72)
Potassium spill	5 (.46)	5 (2.26)
– Depth over ½ inch (1.3 CM)	3 (.27)	6 (2.72)
Sodium potassium alloy spill	3 (.27)	2 (.9)

The Amerex “soft flow” extension applicator is particularly suited for fighting **CLASS D** fires. It allows the operator to stand away from the extreme heat and toxic fumes caused by burning material. The easily controlled, even discharge provides a non-dispersing application of the agent. The extension applicator may be quickly detached to provide a straight stream of chemical where greater range is required.

RUGGED

- 6-Year manufacturer’s warranty
- Stored-pressure design
- Dependable drawn-steel cylinders
- Class D color-coded paint finish
- All-metal valve construction
- Temperature range -40°F to 120°F

USER-FRIENDLY

- Unique “soft flow” extension applicator plus built-in long-range nozzle
- Large loop stainless steel pull pin
- QR coded and multilingual labels

OPTION

- Model 859 dolly cart provides for easy transport



C571
P/N 27576

MODEL C571 contains a copper extinguishing agent specially developed by the U.S. Navy for fighting lithium and lithium alloy fires. The copper compound smothers the fire and provides an excellent heat sink for dissipating heat. Copper powder has been found to be superior to all other known fire extinguishing agents for lithium metal fires. **Not recommended for lithium-ion battery fires.**

AVAILABLE IN 250-LB. WHEELED EXTINGUISHER

Extinguishing Capacity:
4 ft.² and/or approximately 5 lbs. of lithium metal

***MODEL C571** Due to the density of copper, extra agent is added to achieve 30 lbs. of agent discharge at a 45° angle.

THE ACTUAL EXTINGUISHING RECHARGE AGENT QUANTITY IS 41½ LBS.



MANUFACTURED AND TESTED TO UL STANDARDS
COMPLIES WITH NFPA 10 STANDARD
ISO-9001/ISO-14001 CERTIFIED
FM APPROVED

FOR COMBUSTIBLE METAL FIRES

AGENT TYPE	SODIUM CHLORIDE	COPPER
VALVE TYPE	Chrome-Plated Brass	
DESIGN	Hose & Horn or Wand applicator	
MODEL NUMBER	B570	C571
CAPACITY (LBS.)	30	*30
*SHIPPING WT. (LBS.)	53	59
HEIGHT (IN.)	35	34
WIDTH (IN.)	13	11
DEPTH (IN.)	8	7
RANGE (INITIAL- FT.)	3-6	3-6
DISCHARGE TIME (SEC.)	24	24
FM APPROVED	Yes	Yes
NOMINAL OPERATING PRESSURE	195 PSIG	195 PSIG
INCLUDED BRACKET	Wall	Wall

*Shipping weight includes box.



Z-SERIES HIGH PERFORMANCE



Z-Series extinguishers are the ultimate choice in fire extinguishers for high hazard, frequent use, and extreme environment applications. They are economical—less initial cost, lower maintenance costs, and greater reliability than cartridge-operated extinguishers. Amerex Z-Series extinguishers are available with a proprietary, zinc-enriched coating that resists corrosion for up to 12 years in severely salt-contaminated environments.

RUGGED

- 12-Year manufacturer's warranty
- Zinc-enriched coating
- All-metal valve construction
- Chrome-plated brass gauge guards
- Protective rubber foot rings
- Superior vertical and horizontal range
- Higher operating pressure
- Temperature range -65°F to 120°F

AGENTS

- ABC or Purple K

USER-FRIENDLY

- Wide grip allows clearance for gloved hands
- Large loop stainless steel pull pin
- QR coded and multilingual labels

FAST FLOW

- High flow rate
- Fast discharge
- Quicker knockdown
- More operator protection

COMPLIANCE FLOW

- Long range
- Highest UL ratings

OPTION

- USCG approved with bracket listed on UL label
- Hot-dip galvanized USCG brackets available

FAST FLOW

- 790** P/N 26903
- 791** P/N 26904
- 792** P/N 26905
- 793** P/N 26908
- 794** P/N 26909
- 795** P/N 26910
- 796** P/N 26911

COMPLIANCE FLOW

- 711** P/N 27940
- 712** P/N 28173
- 713** P/N 26912
- 714** P/N 26913
- 715** P/N 26914
- 716** P/N 26915
- 717** P/N 26916
- 718** P/N 26917



711

712



AVAILABLE IN 125-AND 250-LB. WHEELED EXTINGUISHERS

MANUFACTURED AND TESTED TO UL STANDARDS

COMPLIES WITH NFPA 10 STANDARD
ISO-9001 AND ISO-14001 CERTIFIED UL LISTED

CONFORMS TO TEST STANDARDS:

CAN/ULC-S504 - UL 299 &
CAN/ULC-S508 - UL 711

AFFORDABLE AND EASY TO MAINTAIN

AGENT TYPE	ABC DRY CHEMICAL				PURPLE K DRY CHEMICAL				ABC DRY CHEMICAL				PURPLE K DRY CHEMICAL					
PERFORMANCE	Fast Flow								Compliance Flow									
VALVE TYPE	Chrome-Plated Brass with Gauge Guard																	
DESIGN	Hose & Nozzle																	
MODEL NUMBER	790	791	792	793	794	795	796	711	713	714	715	712	716	717	718			
UL & ULC RATING	2A:40B:C	4A:40B:C	4A:40B:C	40B:C	40B:C	20B:C	40B:C	4A:80B:C	4A:80B:C	10A:120B:C	10A:160B:C	80B:C	80B:C	120B:C	160B:C			
CAPACITY (LBS. / KG)	13.2 / 6	20 / 9	30 / 13.6	13.2 / 6	20 / 9	20 / 9	30 / 13.6	10 / 4.5	13.2 / 6	20 / 9	30 / 13.6	10 / 4.5	13.2 / 6	20 / 9	30 / 13.6			
*SHIPPING WT. (LBS.)	29	40	56	29	40	40	56	19.5	29	40	56	19.5	29	40	56			
HEIGHT (IN.)	17.5	24.75	26.5	17.5	24.75	24.75	26.5	20.5	17.5	24.75	26.5	20.5	17.5	24.75	26.5			
WIDTH (IN.)	10.5	10.5	11	10.5	10.5	10.5	11	8.25	10.5	10.5	11	8.25	10.5	10.5	11			
DEPTH (IN.)	7	7	8	7	7	7	8	5	7	7	8	5	7	7	8			
RANGE (INITIAL- FT.)	40-50				40-50				15-21	40-50				15-21	40-50			
DISCHARGE TIME (SEC.)	15	18	21	15	15	10	16	22	22	30	34	22	22	29	34			
AVERAGE DISCHARGE RATE (LBS. / SEC.)	.94	1.20	1.60	.94	1.44	2.00	1.88	0.5	.59	.65	.95	0.45	.61	.67	.81			
NOMINAL OPERATING PRESSURE	240 PSIG	240 PSIG	240 PSIG	240 PSIG	240 PSIG	240 PSIG	240 PSIG	195 PSIG	240 PSIG	240 PSIG	240 PSIG	195 PSIG	240 PSIG	240 PSIG	240 PSIG			
INCLUDED BRACKET	Wall				Wall				Wall				Wall					

*Shipping weight includes box.





HIGH-FLOW DRY CHEMICAL

HIGH-FLOW portable fire extinguishers are for applications where discharge rates exceeding one pound per second are required as specified in NFPA 10. These extinguishers utilize the same hardware and are manufactured to the same UL specifications as Amerex compliance-rated products.



10 LBS (10 LBS)
720 722
P/N 20895 P/N 20899

(20 LBS) 20 LBS
760 762
P/N 20901 P/N 20905



RUGGED

- 6-Year manufacturer's warranty
- Stored-pressure design
- Dependable drawn-steel cylinders
- Durable high-gloss polyester powder paint
- All-metal valve construction

BRASS VALVE—Heavy Duty

- Chrome-plated brass valve body
- Stainless steel handle & lever
- Twice the flow rate of standard models
- Meets DOT requirements
- Temperature range -65°F to 120°F

USER-FRIENDLY

- Easy and economical to maintain and service
- Large loop stainless steel pull pin
- QR coded and multilingual labels

OPTION

- USCG approved with bracket listed on UL label
- ABC or Purple K Chemical

HIGH-FLOW—EXCEEDS 1 LB. PER SECOND DISCHARGE RATE

AGENT TYPE	ABC	ABC	PURPLE K	PURPLE K
MODEL NUMBER	720	760	722	762
DESIGN	Hose & Nozzle		Hose & Nozzle	
CAPACITY (LBS.)	10	20	10	20
UL RATING	1A:20B:C	4A:60B:C	20B:C	60B:C
*SHIPPING WEIGHT (LBS.)	19.5	38	19.5	38
DISCHARGE TIME (SEC.)	10	19	12	20
DISCHARGE RATE (LBS./SEC.)	1.22	1.14	1.15	1.08
DISCHARGE RANGE (FT.)	15-25	15-25	15-25	15-25
HEIGHT (IN.)	20 ½	24	20½	24
WIDTH (IN.)	8 ¾	10 ¼	8¾	10¼
DEPTH (IN.)	5	7	5	7
NOMINAL OPERATING PRESSURE	195 PSIG	195 PSIG	195 PSIG	195 PSIG
INCLUDED BRACKET	Wall		Wall	

*Shipping weight includes box.

MANUFACTURED AND TESTED TO UL STANDARDS
COMPLIES WITH NFPA 10 STANDARD
ISO-9001/ISO-14001 CERTIFIED
UL LISTED

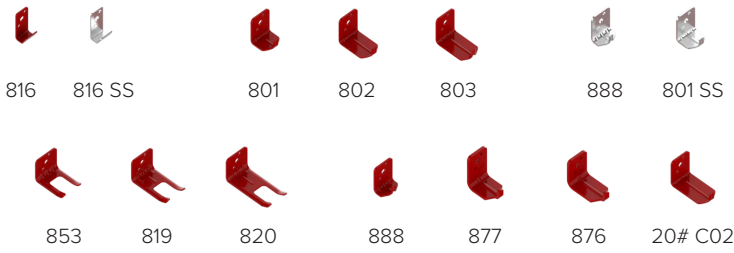
CONFORMS TO TEST STANDARDS:
CAN/ULC-S504 - UL 299 &
CAN/ULC-S508 - UL 711



BRACKETS

All Amerex brackets meet the latest UL salt spray requirements (240 hrs. @ 20% salt solution—ASTM B117). 1-year manufacturer's warranty applies to all brackets. Please see [Amerex Parts Catalog](#) for bracket details.

Wall-Hanger Brackets



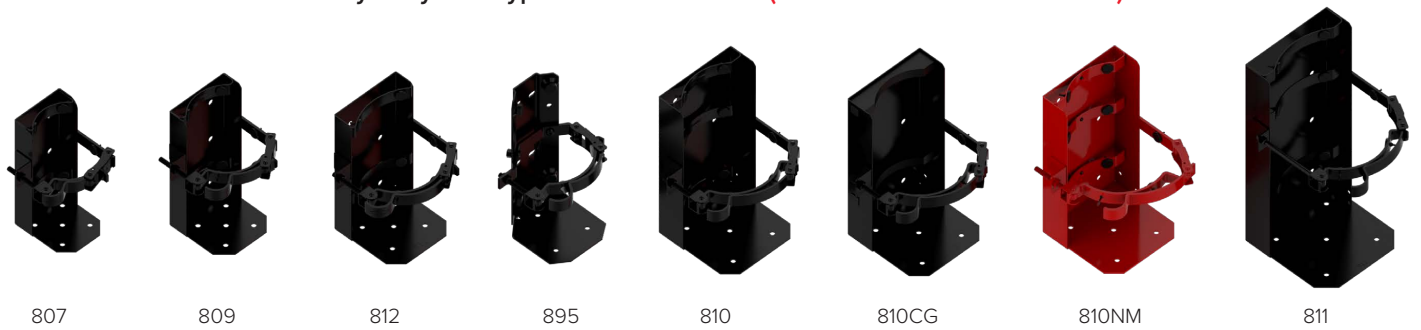
6- & 10-lb. Wall-Strap Type



Vehicle/Marine/Aviation Brackets

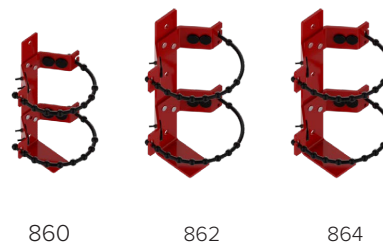
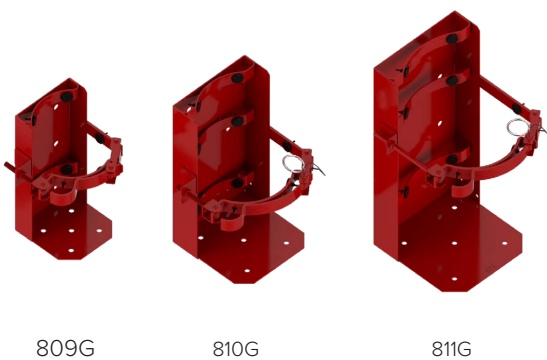


Heavy-Duty Box-Type Vehicle Brackets (Red Brackets are Galvanized)



Models 809, 810, and 811 are also available with an optional zinc primer undercoat (809Z / 810Z / 811Z).

Heavy-Duty Rubber-Strap Brackets



Heavy-Duty Dolly Cart



For a full list of our available brackets, please visit www.amerex-fire.com.

EXTINGUISHERS AT-A-GLANCE

AGENT TYPE	SIZE (CAPACITY)	MODEL	CYLINDER DIAMETER (INCH)	INCLUDED BRACKET	USCG BRACKET	OPTIONAL BRACKETS	RUBBER STRAP BRACKETS	859 DOLLY OPTION
WATER	2.5 Gal.	240	7	816 Wall	N/A	810	864	Yes
WET CHEMICAL	6 Liter	C260	7	816 Wall		810	N/A	
	2.5 Gal.	C262	7	816 Wall		810	864	Yes
	6 Liter	C260CG	7	816 Wall	810CG	N/A	N/A	
	2.5 Gal.	C 262CG	7	816 Wall	810CG	N/A	N/A	
WATER MIST	1.75 Gal.	C270	7	816SS Wall	N/A	810, 810NM	N/A	
	2.5 Gal.	C272	7	816SS Wall	N/A	810, 810NM	N/A	
HALOTRON® BrX	1.92 LB.	337TS	3.25	899TS				
	3.55 LB.	339	3.5	893TS				
	3.75 LB.	347TS	3.25	898TS				
	3.75 LB.	349TS	3.25	898TS				
	12.5 LB.	351	5	801 Wall		809		
HALOTRON® I	1.4 LB.	A384T	2.63	845 Vehicle	N/A	845S	N/A	
	2.5 LB.	B385TS	3	817S Vehicle	N/A	817S	860	
	5 LB.	B386T	4.25	818 Vehicle	818, 821, 861H	818S, 821, 821S, 807	860	
	5.5 LB.	B394TS	4.25	818S Aircraft	N/A	818S, 821, 821S, 807	860	
	11 LB.	397	6	802 Wall	812	812	N/A	
	15.5 LB.	398	6	802 Wall	812	812	N/A	
HT SERIES	1.92 LB.	A537TS	3.25	899TS Vehicle				
	3.75 LB.	547	3.25	853 Wall		898TS	860	
	3.75 LB.	549	3.25	853 Wall		898TS	860	
	12.5	551	5	801 Wall		809		
CARBON DIOXIDE	5 LB.	322	5.25	801 Wall	809	809	862	
	5 LB.	322NM	5.25	801SS Wall	N/A	N/A	N/A	
	10 LB.	330	7	802 Wall	810	810	N/A	
	15 LB.	331	7	802 Wall	810	810	864	Yes
	20 LB.	332	8	20# CO2 Wall	811	811	864	Yes
ABC DRY CHEMICAL	2.5 LB.	B417 / B417T	3	817VM Wall / 817	817	817S	860	
	5 LB.	B402 / B402T	4.25	888 Wall / 818	818, 821, 861H	818S, 821, 821S, 807	860	
	5 LB.	B500 / B500T	4.25	888 Wall / 818	818, 821, 861H	818S, 821, 821S, 807	860	
	5 LB.	B424	4.25	888 Wall	821, 861H	821, 821S, 807	860	
	6 LB.	B443	5	801 Wall	808, 809, 895	808, 809, 889HB, 895	862	
	6 LB.	B461	5	801 Wall	808, 809, 895	808, 809, 846, 889, 895	862	
	10 LB.	B456	5	801 Wall	809, 895	808, 809, 846, 889, 889HB, 895	862	
	10 LB.	B441	5	816 Wall	809, 895	808, 809, 889HB, 895, 846	862	
	20 LB.	A411	7	803 Wall	810	810	864	Yes
	20 LB.	423	7	803 Wall	810	810	864	Yes
PURPLE K DRY CHEMICAL	1 LB.	376T	2.63	846				
	2.5 LB.	377	3					
	2.5 LB.	B410T	3	817	817	817S	860	
	5 LB.	B479 / B479T	4.25	888 Wall / 818 VM	818, 821, 861H	807, 818S, 821, 821S, 861H	860	
	10 LB.	B460	5	816 Wall	809, 895	808, 809, 846, 889HB, 895	862	
	20 LB.	A413	7	803 Wall	810	810	864	Yes
	20 LB.	415	7	803 Wall	810	810	864	Yes
CLASS D DRY POWDER	30 LB.	B570	8	803 Wall	N/A	811	864	Yes
	30 LB.	C571	7	877 Wall	810	810	864	Yes
Z-SERIES HIGH PERFORMANCE	10 LB. (4.5 KG)	711, 712	5	877 Wall	809, 809G	809, 809G	N/A	
	13.2 LB. (6 KG)	713, 716, 790, 793	7	877 Wall	810 & 810G	810, 810G	N/A	
	20 LB. (9 KG)	714, 717, 791, 794, 795	7	877 Wall	810 & 810G	810, 810G	864	Yes
	30 LB. (13.6 KG)	715, 718, 792, 796	8	876 Wall	811 & 811G	811, 811G	864	Yes
HIGH-FLOW DRY CHEMICAL	10 LB.	720, 722	5	816 Wall	809, 895	808, 809, 889HB, 895, 846	862	
	20 LB.	760, 762	7	803 Wall	810	810	864	Yes



APPLICATIONS



TRANSPORTATION

ABC Dry Chemical—All Varieties
(OEM, Up-Fitters, Aftermarket)



HEALTHCARE

Aluminum Valve Dry Chemical,
CO2, Clean Agent, K Class,
Water Mist, Wheeled Units



DISTRIBUTION CENTERS

Brass Valve Dry Chemical,
Z-Series, Wheeled Units



OIL AND GAS

Brass Valve Dry Chemical,
Z-Series, Wheeled Units



CHEMICAL

Brass Valve Dry Chemical,
Z-Series, Wheeled Units



INDUSTRIAL

Light: Aluminum Valve Dry Chemical,
Clean Agent, CO2, Class D
Medium: Aluminum Valve Dry Chemical,
Clean Agent, CO2, Class D
Heavy: Brass Valve Dry Chemical,
Z-Series, Class D, Wheeled Units



EDUCATION

Aluminum Valve Dry Chemical,
Clean Agent, K Class,
Water Mist, CO2

Why Amerex ?

QUALITY

Amerex didn't become a global market leader overnight. Our business has grown year after year based on our products' reputation for performance and durability in even the most rugged environments.

INNOVATION

Because Amerex is independently owned and forward thinking, we are continuously innovating and investing for the benefit of our customers and those they serve.

SERVICE

Amerex was founded on a mutual appreciation for premium quality in products, customer service, and the importance of interpersonal relations.



Amerex Corporation makes every attempt possible to provide the most current and updated information. Information contained within this brochure is deemed to be as accurate as possible as of the printing date. Routine changes to products, codes and standards, and warranties subsequent to this printing will supersede printed information. Please contact Amerex Corporation for any revisions, updates, or product changes.



ISO 9001—Quality
ISO 14001—Environmental
OHSAS 18001—Safety
CERTIFIED

© Copyright Amerex Corporation 2025
HP Volume 25, Issue 2

7595 Gadsden Hwy.
P.O. Box 81
Trussville, AL 35173
Ph (205) 655-3271



Amerex Corporation



amerex_corporation



Amerex_Corp



Amerex Corporation



Amerex

www.amerex-fire.com
customer.service@amerex-fire.com
intl.sales@amerex-fire.com
webstore.amerex-fire.com



www.firesys.com.au | 1300 88 3473 | info@firesys.com.au