

TECHNICAL DATA SHEET

CODE:	CS25BBL & CS38BBL
DESCRIPTION:	BRASS BSP HOSE COUPLING SETS
CATEGORY:	COUPLINGS MISCELLANEOUS
REVISION DATE:	25 JANUARY 2022

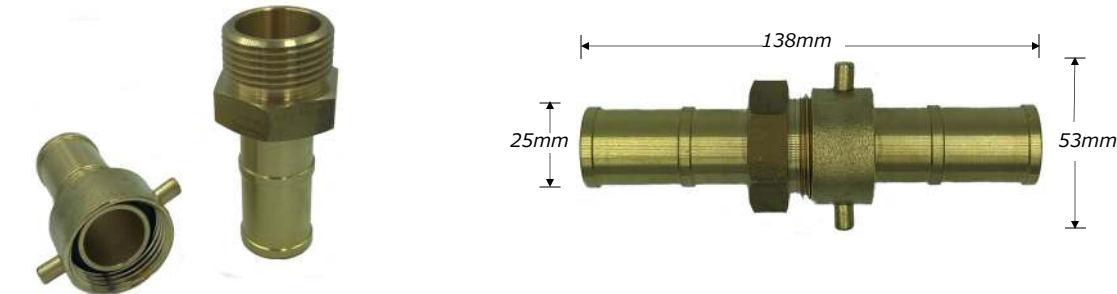
PRODUCT DESCRIPTION:

Commonly used on fire fighting hoses attached to small to medium size bushfire fighting and domestic pumps. Available in 25mm (1") and 38mm (1.5") BSP sizes.

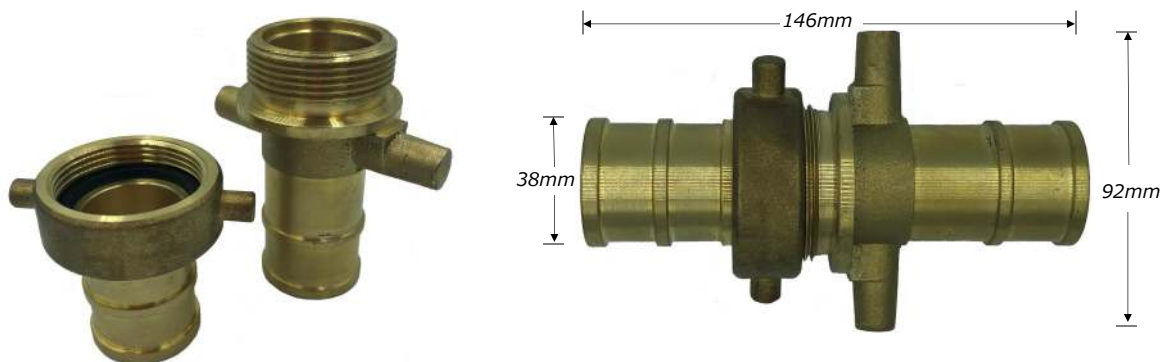
FEATURES:

- Full brass construction including full brass hose tail for durability
- 38mm coupling sets feature lugs on both male and female ends while 25mm couplings feature lugs on female coupling and hex nut on male end
- Internal coupling washers are captive meaning they are less likely to be lost or missing in time of need
- Hose tail is "double groove" style meaning they are suitable for use with ban-it style clamps and other common attachment methods

CS25BBL 25MM (1") BSP COUPLING SET:



CS38BBL 38MM (1.5") BSP COUPLING SET:



**FIRE
SYSTEM
SERVICES**

T: 1300 88 3473
E: info@firesys.com.au
W: www.firesys.com.au