

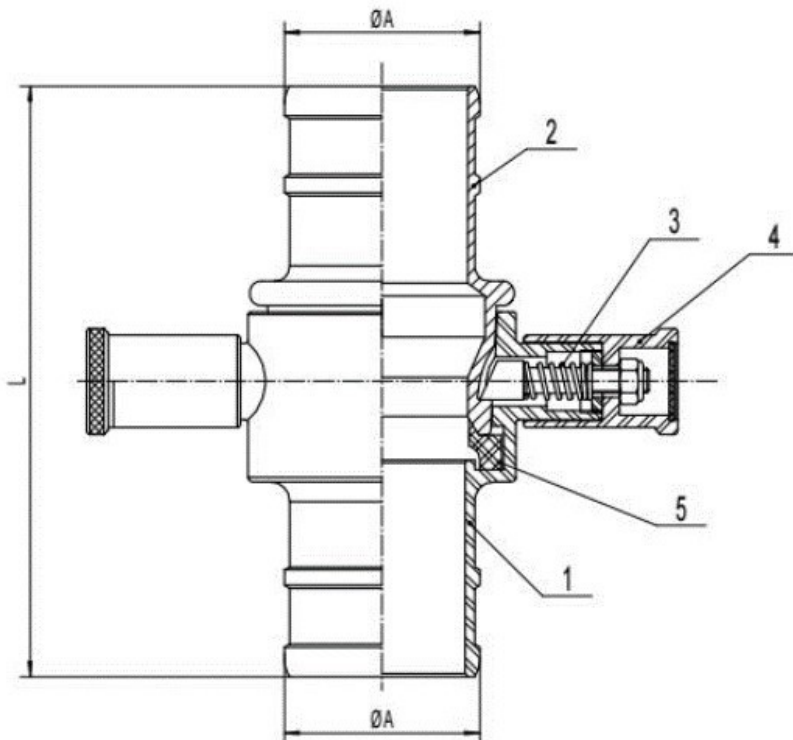
TECHNICAL DATA SHEET

CODE:	VARIOUS - SEE DETAILS IN TABLES
DESCRIPTION:	DELIVERY HOSE COUPLINGS BIC (BI) - BRASS & ALLOY
CATEGORY:	HYDRANT / FIRE HOSE FITTINGS & EQUIPMENT
REVISION DATE:	25 JANUARY 2022

PRODUCT DESCRIPTION:

Delivery hose couplings provide the means to connect fire hoses to one another and to hydrant landing valves, branches, fittings and adaptors. Instantaneous (BI) couplings consist of separate male and female parts both with a grooved tail portion which is used for connection to the fire hose by either wire whipping or band-it style clamping.

Instantaneous couplings are available in both brass alloy and light alloy and with hose tails to suit either 38mm, 45mm, 50mm or 65mm hoses.



DRAWING - GROOVED TAIL BIC COUPLING SET:

L	OVERALL COUPLING SET LENGTH	3	SPRING
A	OUTER HOSETAIL RIB DIAMETER	4	CAM TOOTH
1	FEMALE COUPLING	5	WASHER SEAL
2	MALE COUPLING		



**FIRE
SYSTEM
SERVICES**

T: 1300 88 3473
E: info@firesys.com.au
W: www.firesys.com.au

BRASS ALLOY BIC COUPLING SETS:

**DELIVERY HOSE COUPLING INSTANTANEOUS TYPE, BIC, 63MM (2 1/2"),
BRASS ALLOY, AS PER BS:336**

2 1/2" BIC COUPLING SET PART NUMBER	NOMINAL TAIL / SHANK SIZE DIAMETER (mm)	NOMINAL OVERALL LENGTH (mm)	NOMINAL WEIGHT (KG)	TYPICAL TEST DATA DETAILS ALL COUPLING SETS			
				TEST PRESSURE (BAR)	BURST PRESSURE (BAR)	WORKING PRESSURE (BAR)	LUG RELEASE FORCE (N)
CS65BI38TB	38	185	1.87	26	48	16	< 55
CS65BI45B	45	190	2.17				
CS65BI50B	50	190	2.51				
CS65B65TB	63	185	1.98				

*** BRASS ALLOY - TYPICAL MATERIAL COMPOSITION - Cu (57%) , Zn (38%) , OTHER (5%)

** NITRILE NBR RUBBER - SHORE HARDNESS 50 +/-5%



COMPONENT PART DESCRIPTION	TYPICAL MATERIAL COMPOSITION		
	BRASS ALLOY ***	304 S/STEEL	NITRILE NBR **
MALE COUPLING (2)	X		
FEMALE COUPLING (1)	X		
SPRING (3)		X	
CAM TOOTH (4)	X		
WASHER (5)			X



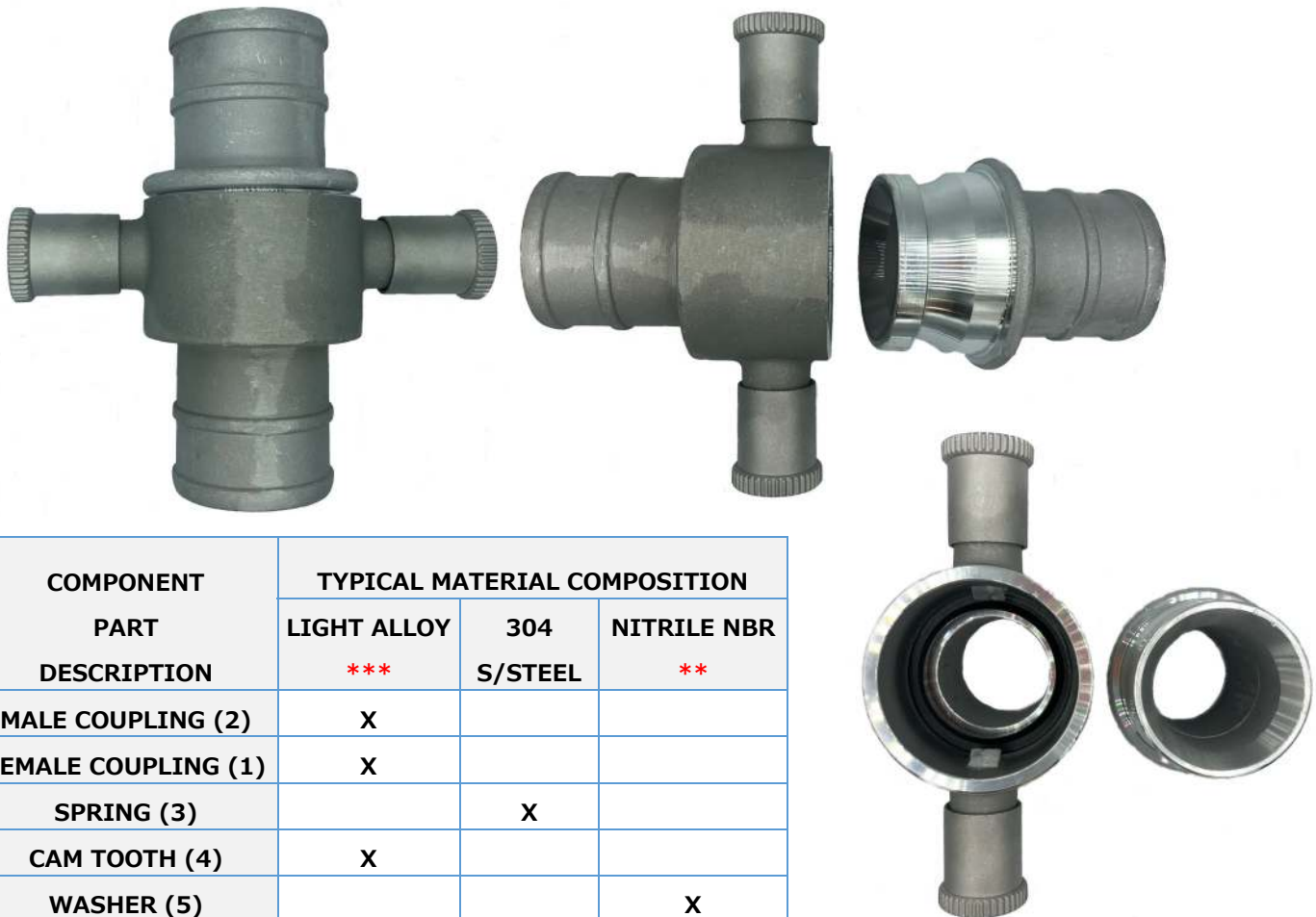
ALUMINIUM ALLOY BIC COUPLING SETS:

**DELIVERY HOSE COUPLING INSTANTANEOUS TYPE, BIC, 63MM (2 1/2"),
LIGHT ALLOY, AS PER BS:336**

2 1/2" BIC COUPLING SET PART NUMBER	NOMINAL TAIL / SHANK SIZE DIAMETER (mm)	NOMINAL OVERALL LENGTH (mm)	NOMINAL WEIGHT (KG)	TYPICAL TEST DATA DETAILS ALL COUPLING SETS			
				TEST PRESSURE (BAR)	BURST PRESSURE (BAR)	WORKING PRESSURE (BAR)	LUG RELEASE FORCE (N)
CS65B38A	38	185	0.93	24	48	16	< 55
CS65BI50A	50	190	0.89				
CS65B65A	63	185	0.98				

***** ALUMINIUM ALLOY: A356**

**** NITRILE NBR RUBBER - SHORE HARDNESS 50 +/-5%**



COMPONENT PART DESCRIPTION	TYPICAL MATERIAL COMPOSITION		
	LIGHT ALLOY ***	304 S/STEEL	NITRILE NBR **
MALE COUPLING (2)	X		
FEMALE COUPLING (1)	X		
SPRING (3)		X	
CAM TOOTH (4)	X		
WASHER (5)			X