

TECHNICAL DATA SHEET

CODE:	HYDRANT LANDING VALVES
DESCRIPTION:	BRASS LANDING VALVES & MILLCOCKS
CATEGORY:	HYDRANT / FIRE HOSE FITTINGS & EQUIPMENT
REVISION DATE:	05 AUGUST 2020

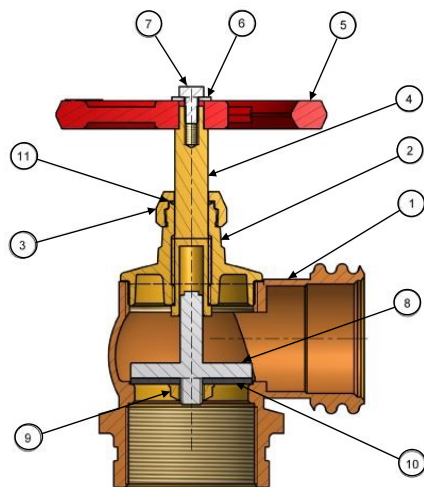
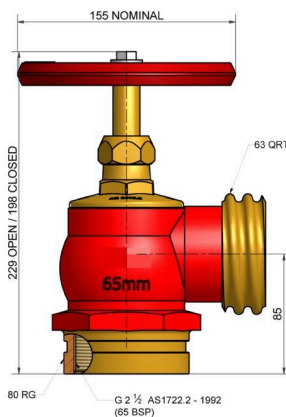
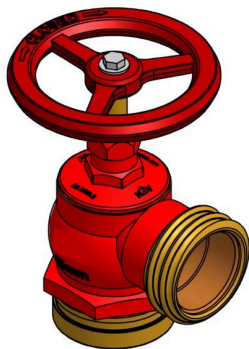
PRODUCT DESCRIPTION:

Hydrant Landing Valves are available in all common thread types / outlets to meet local state requirements. A full list of options are shown on Page 2.

All Hydrant Landing Valves meet the requirements of, and are approved to AS 2419.2

Options include 65mm BSP Male or 80mm Roll-Groove inlets - Note 80mm roll-groove inlet models also include 65mm BSP Female internal thread.

Landing valves are also available in 38mm BSP for marine and other specialist applications.



1	BODY	COPPER ALLOY TO AS1565/C85210
2	COVER	COPPER ALLOY TO AS1565/C85210 OR AS1568 C48600
3	COVER NUT	BRASS
4	SPINDLE	COPPER ALLOY TO AS1568 C48600
5	HAND WHEEL	DUCTILE IRON GRADE 500
6	WASHER	GALVANISED STEEL
7	SET SCREW	GALVANISED STEEL
8	SEAT	COPPER ALLOY TO AS1568 C48600
9	NUT JUMPER VALVE	COPPER ALLOY TO AS1568 C48600
10	SEAT DISC	NITRILE RUBBER
11	O-RING	NITRILE RUBBER



T: 1300 88 3473
 E: info@firesys.com.au
 W: www.firesys.com.au

PRODUCT CODES & DESCRIPTIONS:

CODE	NSW SAFB, QLD, BSP, MFB
HLV65B	HYDRANT LANDING VALVE 65MM FBT MFB M OUTLET x 65mm BSPM INLET
HLV65FM	HYDRANT LANDING VALVE 65MM FBT MFB MILLCOCK X 65MM BSPM INLET
HLV65CFAM	HYDRANT LANDING VALVE 65MM CFA MILLCOCK x 65MM BSPM INLET
HLV65BBM	HYDRANT LANDING VALVE 65MM BSP MILLCOCK X 65MM BSPM INLET
HLV65BFR	HYDRANT LANDING VALVE 65MM FBT MFB OUTLET ROLL GROOVE INLET
HLV65SAF	HYDRANT LANDING VALVE 65MM SAFB 65mm BSP FEM INLET
HLV65QR	HYDRANT LANDING VALVE 65MM QRT ROLL GROOVE INLET
HLV65BR	HYDRANT LANDING VALVE 65MM BSP ROLL GROOVE INLET
HLV50B	HYDRANT LANDING VALVE 50MM BSP MALE OUTLET x 50MM BSP M INLET
HLV38B	HYDRANT LANDING VALVE 38MM BSP MALE OUTLET x 38MM BSP M INLET
STORZ OUTLET	
HLV65BS	HYDRANT LANDING VALVE 65 STORZ X 65MM BSPM INLET
HLV65BSO	HYDRANT LANDING VALVE 65 STORZ MILLCOCK 65MM BSPM INLET
BRITISH INSTANTANEOUS (BI)	
HLV65BI	HYDRANT LANDING VALVE 65MM BIC X 65MM BSPM INLET
HLV65BIRG	HYDRANT LANDING VALVE 65MM BIC ROLL GROOVE INLET
◇ MILLCOCK = OBLIQUE = 30 DEGREE UPWARD OFFSET ◇ ALL LANDING VALVES LISTED IN THIS TABLE WITH <u>ROLL-GROOVE INLET</u> INCLUDE AN <u>INTERNAL 65MM BSPF THREAD INTERNALLY</u>	