

## Universal Door Holder

### Features

- Universal Floor, Ceiling or Wall Mount Design
- Rugged Heavy Duty Construction
- 500N (50kg) or 1000N (100kg) Holding Force
- Zero Residual Force
- Integral Release Switch
- Adjustable Swivel Keeper Plate
- 24V DC Supply Voltage

### Description

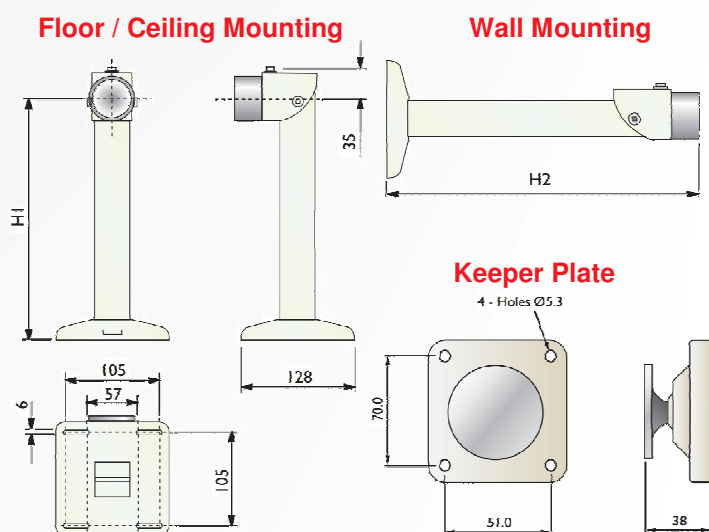
The Universal Door Holder is designed for floor, ceiling or wall mount applications and enables doors to be held open under normal conditions and released during a fire alarm condition. The Universal Door Holder is simple to install and commission and is suited to a wide range of applications including:

- Theatres and Cinemas
- Hospitals and Nursing Homes
- Schools, Colleges and Universities
- Manufacturing and Office Buildings

The Universal Door Holder is 24V d.c. powered and incorporates a built in switch to enable manual release of the door during emergencies or for maintenance purposes.

The stand and adjustable head are fabricated from steel providing a robust structure and immunity to knocks and general wear and tear during everyday use. The stand is available in two standard lengths, but can be easily cut down to shorter lengths on site and a moulded cover is included to conceal the fixings once the holder is installed. The assembly section can be installed in line or at 90° to the door frame to facilitate floor or wall installations.

The Universal Door Holder is supplied with an adjustable keeper plate which should be mounted on the door.



Universal Door Holder

### Item Numbers

4101-4001	Universal 500N Door Holder (short)
4101-4002	Universal 500N Door Holder (long)
4101-4003	Universal 1000N Door Holder (short)
4101-4004	Universal 1000N Door Holder (long)
4101-6004	Adjustable Keep Plate (spare)

### Specifications

4101-	4001 / 02	4003 / 04
Operating Voltage	24V dc	24V dc
Current	43mA	76mA
Holding Force		
Newtons	500N	1000N
Kilograms	50kg	100kg
Residual	Zero	Zero
Stand Length		
Floor Mount H1	183 / 283mm	183 / 283mm
Wall Mount H2	250 / 350mm	250 / 350mm
Manual Release	Yes	
Keeper Adjustment	+/- 30°	
Operating Temp.	-10° to +50°C	
IP rating	IP51	
Finish	Nickel Coated / Painted White	
Approval	EN1155	