

## Ceiling Speaker with Metal Grille

### Features

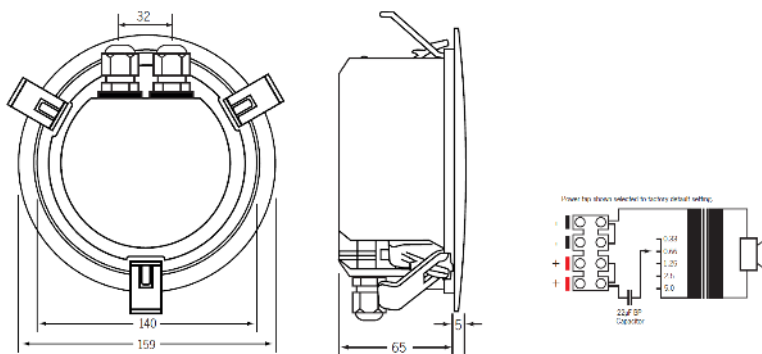
- Stylish aluminium grille
- Low profile design
- Excellent speech intelligibility
- Fire resistant ABS plastic dome
- High quality speaker driver
- One-shot 'snap-fit' mounting
- Rubber grommets supplied



### Description

The ceiling mount speaker is certified to the AS ISO7240.24 standard for fire & evacuation announcements in buildings. Each speaker is fitted with a fire retardant speaker/transformer dome and is fitted with rubber grommets and terminal blocks for easy on site termination. The speaker utilises the One-Shot 'snap fit' mounting system.

### Dimensions (mm)



### Specifications

<b>Rated Noise Power</b>	5 Watts (100V line)
<b>Power Taps &amp; Impedance (100V line)</b>	0.33W (30kΩ), 0.66W (15kΩ), 1.25W (8kΩ), 2.5W (4kΩ), 5W (2kΩ)
<b>Sensitivity</b>	89dB (1W @ 1m), 77dB (1W @ 4m)
<b>Maximum Sound Pressure Level</b>	96dB (5W @ 1m), 84dB (5W @ 4m)
<b>Frequency Response</b>	100Hz - 15kHz
<b>Coverage Angle (-6dB)</b>	1000Hz: 180°, 2000Hz: 160°, 4000Hz 75°
<b>Environmental Type</b>	A (for indoor applications as per standard)
<b>Speaker Component</b>	100mm (4") paper cone speaker
<b>Mounting Hole</b>	140mmØ
<b>Mounting Method</b>	3 x plastic spring loaded clip
<b>Line Monitoring</b>	Yes, 22µF bipolar capacitor
<b>Applicable Cable</b>	2.5mm <sup>2</sup> (14AWG) max conductor area
<b>Connection</b>	4 way screw terminal
<b>Finish</b>	White or black flame retardant ABS basket (ABS AF312C) Clear Flame retardant ABS spring clips (Makrolon 6557) Red flame retardant ABS transformer dome cover (Starex VH-0800) Powercoated aluminium grille insert
<b>Dimensions</b>	159mm Ø x 65mm D
<b>Weight</b>	710g

### Item Numbers

<b>4113-1056</b>	Ceiling Speaker White Metal Low Profile Grille
<b>4113-1057</b>	Ceiling Speaker Black Metal Low Profile Grille